

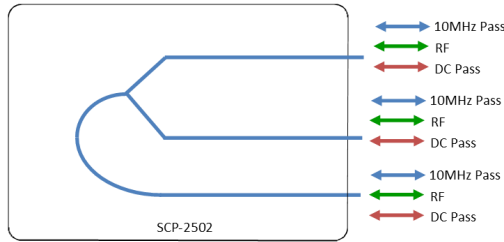


Model Number:
SCP-2502

RF Components

Scorpion 2-Way Passive Splitter/Combiner

850 - 2150 MHz



- All ports 10MHz & DC pass.
- All ports located on rear of unit.
- Can be standalone or mounting in our Scorpion 1U Chassis. Model SCP-1U-11.

Available with RF connector options:

- 50 Ω SMA
- 50 Ω N-type
- 50 Ω BNC
- 75 Ω BNC
- 75 Ω F-type



Compact
Housed in rugged compact enclosure

Chassis Mounting
Tapped screw & through hole for use with Scorpion 1U chassis mount systems

850-2150 MHz
Operating frequency range.

| RF Parameters | | | | | | |
|-------------------------|----------------|------------|---------|---------|------------|-----|
| SCP-2502-XXXX | S5S5 | N5N5 | B5B5 | B7B7 | F7F7 | |
| Frequency Range | 850 - 2150 MHz | | | | | |
| RF Connectors | 50Ω SMA | 50Ω N-Type | 50Ω BNC | 75Ω BNC | 75Ω F-Type | |
| Insertion Loss (dB) | Typ. | 0.7 | 0.7 | 1.0 | 1.5 | 1.5 |
| | Max | 1.0 | 1.0 | 1.4 | 2.0 | 2.0 |
| Flatness ± (dB) | 0.4 | 0.4 | 0.4 | 1.0 | 1.0 | |
| Input Return Loss (dB) | Typ. | 18 | 18 | 17 | 14 | 14 |
| | Min | 15 | 15 | 14 | 8 | 8 |
| Output Return Loss (dB) | Typ. | 18 | 18 | 17 | 14 | 14 |
| | Min | 15 | 15 | 14 | 8 | 8 |
| Isolation (dB) | Typ. | 20 | 20 | 20 | 20 | 20 |
| Amplitude Balance (dB) | ≤ 0.3 | ≤ 0.5 | ≤ 0.5 | ≤ 1.0 | ≤ 1.0 | |
| Phase Balance (Φ) | ≤ 3° | ≤ 4° | ≤ 4° | ≤ 10° | ≤ 10° | |

The given Insertion Loss specified is the loss above the theoretical limit for a lossless divider
10MHz Insertion Loss is up to 3dB above the theoretical loss*

Broadcast



Marine Oil & Gas



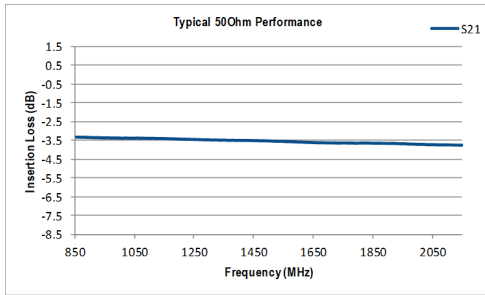
SNG & VSAT



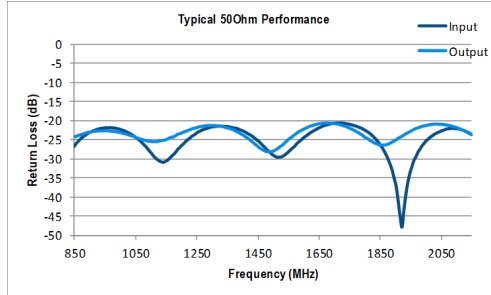
Satellite Teleport



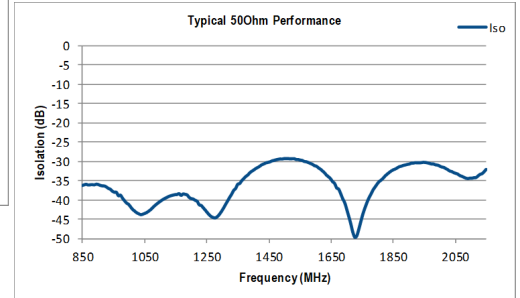
Technical specifications and operating parameters



Insertion Loss (dB)



Return Loss (dB)



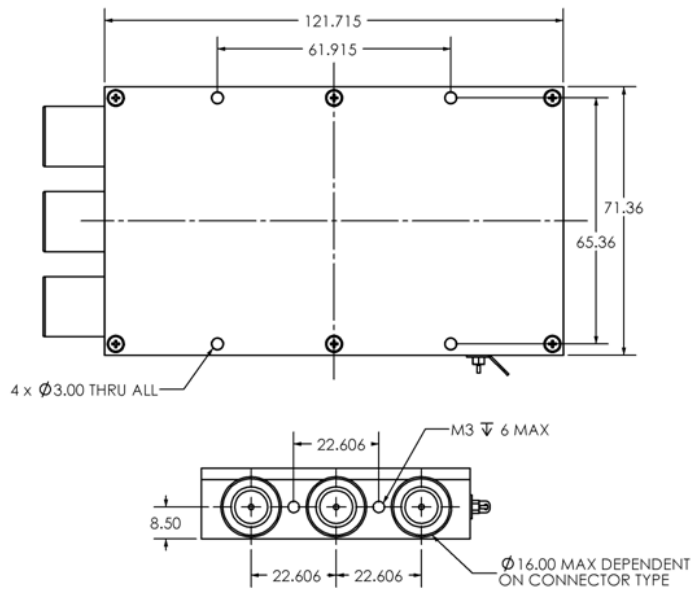
Isolation (dB)

| Environmental | | |
|-----------------------|-----|--------------------|
| Operating Temperature | | 0°C to +45°C |
| Storage Temperature | | -20°C to +75°C |
| Location | | Indoor use Only |
| Humidity | Max | 85% non-condensing |
| Altitude | Max | 10,000 feet |

| Max Operating Parameters | | |
|--------------------------|-----|---|
| Input RF Power | | +34 dBm (2.5W) As Splitter 27 dBm (0.5W) As Combiner |
| DC Voltage | | 35V on any RF port |
| DC Current | Max | 1A Max total Current |

! Operation beyond these limits may cause instantaneous and permanent damage.

Physical Dimensions (mm)



Note: The specification is subject to regular reviews and will be updated from time to time as part of our continuing product development and improved specification accuracy.